

Specifications

Wafer

備注 (Remark)

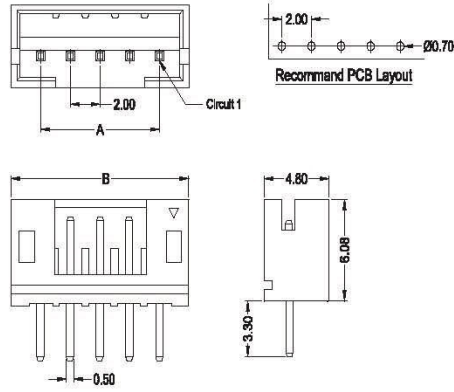
1. 材料 (Material)

膠芯: PA46/PA66/PA6T UL94V-0

Housing: PA46/PA66/PA6T UL94V-0

端子: 黃銅

Contact: Brass



WTB2000-PV1-XX

Poles	Dimensions (mm)		Poles	Dimensions (mm)	
	A	B		A	B
02	2.00	8.00	12	22.00	28.00
03	4.00	8.00	13	24.00	28.00
04	6.00	10.00	14	28.00	30.00
05	8.00	12.00	15	28.00	32.00
06	10.00	14.00	16	30.00	34.00
07	12.00	16.00	17	32.00	36.00
08	14.00	18.00	18	34.00	38.00
09	16.00	20.00	19	38.00	40.00
10	18.00	22.00	20	38.00	42.00
11	20.00	24.00			

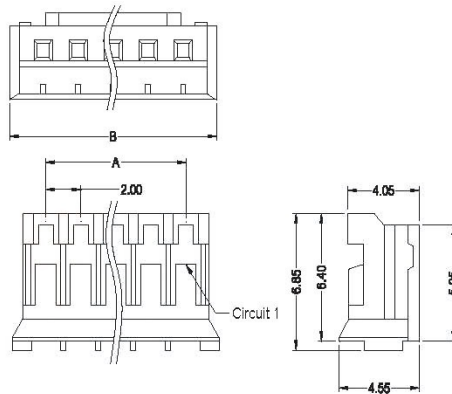
Housing

備注 (Remark)

1. 材料 (Material)

膠芯: PA66 UL94V-0

Housing: PA66 UL94V-0



WTH2000-P1-XX

Poles	Dimensions (mm)		Poles	Dimensions (mm)	
	A	B		A	B
02	2.00	5.80	12	22.00	25.80
03	4.00	7.80	13	24.00	27.80
04	6.00	9.80	14	26.00	29.80
05	8.00	11.80	15	28.00	31.80
06	10.00	13.80	16	30.00	33.80
07	12.00	15.80	17	32.00	35.80
08	14.00	17.80	18	34.00	37.80
09	16.00	19.80	19	38.00	39.80
10	18.00	21.80	20	38.00	41.80
11	20.00	23.80			

W

WAFER

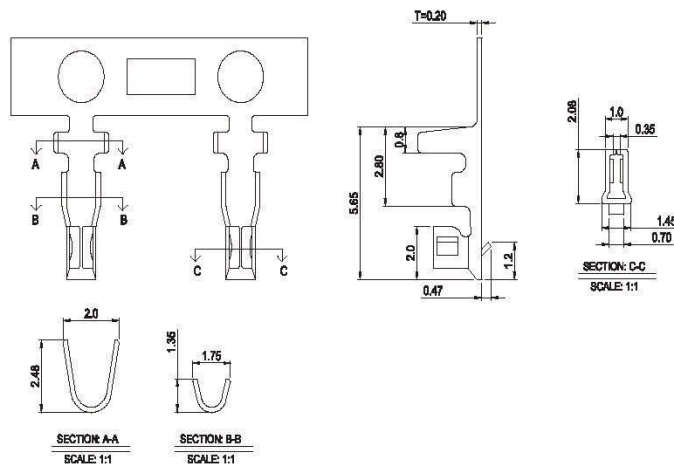
Terminal

備注 (Remark)

1. 材料 (Material)

端子: 磷青銅

Contact: Phosphor bronze



WTT2000-1